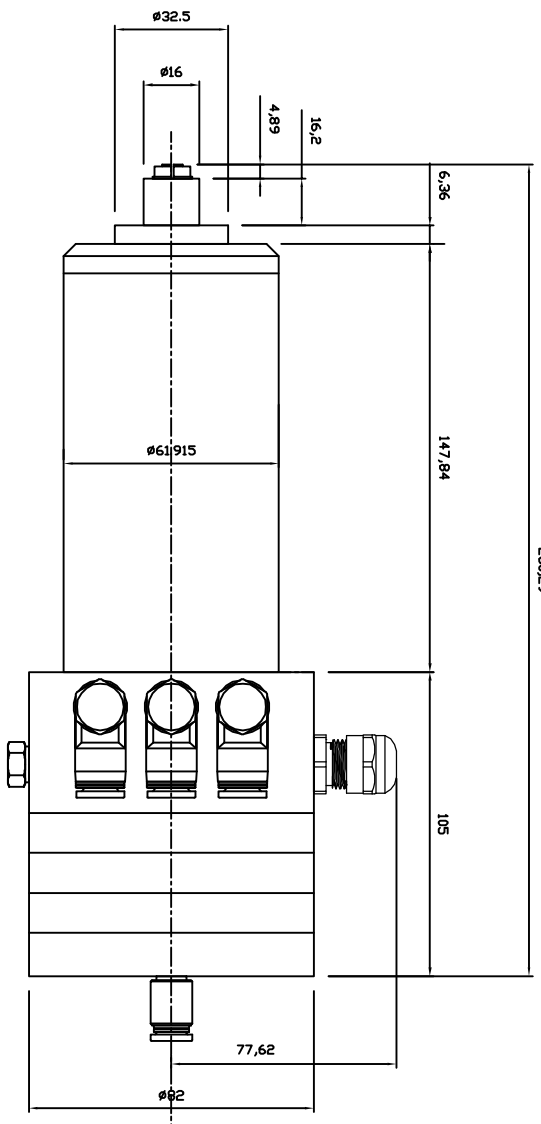


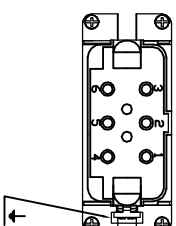
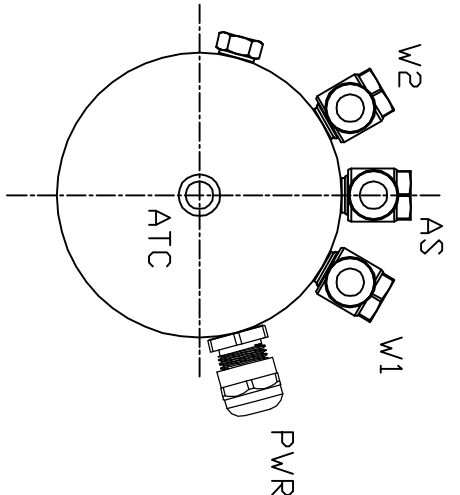
FPN: B4200000001

Confidential

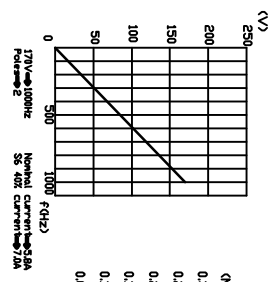
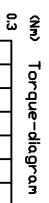
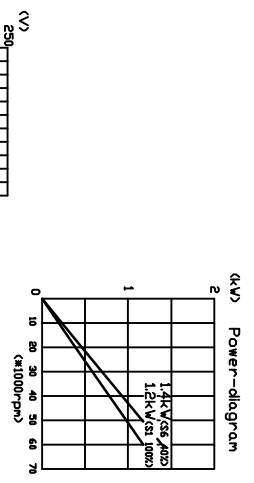


- Taper Size
- Speed 6000 rpm
- Rotation Right
- Bearings Lubrication Grease
- Vibration Level ISD 1940 G1
- Spindle Weight 4 kg
- Spindle Clamping Force Liquid
- Spindle Cooling

- W1 Spindle cooling in PTL/8
- W2 Spindle cooling out PTL/8
- AS Air Seal(Air-purge) PTL/8
- ATC ATC Air In PTL/8, >6~7 kgf/cm2
- PWR Electrical connection



- PWR Phase U White 1
- Phase V Red 2
- Phase W Black 3
- Temp Protection Blue 4
- Temp Protection Blue 5
- Temp Protection Blue 6



Surface Texture Symbol	Tolerance Zone		Drawing Number	Image Name	Model	Material	Surface Treatment	Project	Change Content	Date	Name	Designed	Checked	Approved	Date	Scale	Page	Edition	
	Size Range	IT 12 Grade																	B42010000001
▽	0.01a~0.2a	0~6	±0.05	△	0.3	0.25	0.2	△	0.1	0.1	0.05	James	Liao	James	18-11-23	1 / 1	1 / 1	01	
▽	0.25a~1.6a	6~30	±0.1	△	0.25	0.15	±0.2	△	±0.3	±0.5	±0.5								
▽	2.0a~6.3a	30~100	±0.15	△	0.15	0.1	±0.3	△											
▽	8.0a~25a	100~300	±0.2	△	0.1	0.05	±0.3	△											
▽	32a~125a	300~1000	±0.3	△	0.05	0.025	±0.5	△											
▽		1000~3000	±0.5	△	0.025	0.01	±0.5	△											

鈺達精密股份有限公司  
The.ta Precision Co., Ltd